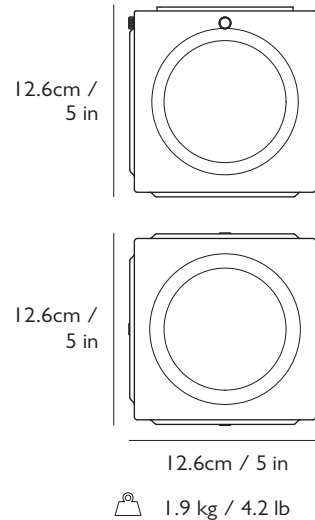
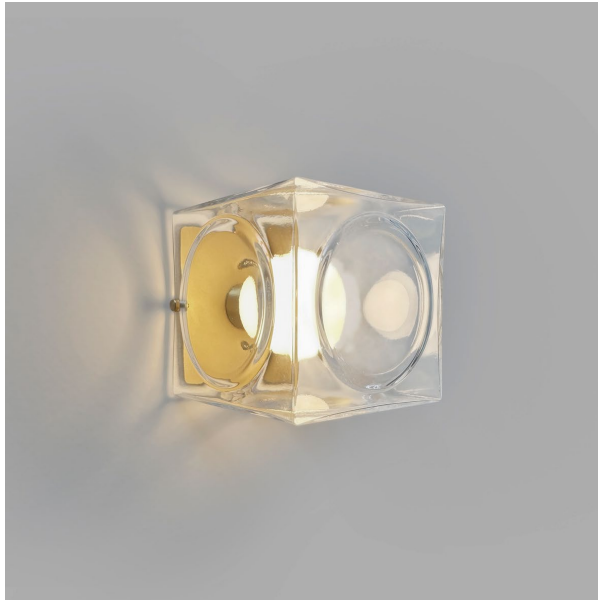


LEE BROOM

CHANT



PRODUCT DETAILS

| | |
|---------------------|----------------|
| Name | Year of Design |
| Chant Surface Light | 2023 |

| | | |
|---------------------------------------|----------|----------|
| Product Code | 110-130V | 220-240V |
| Chant Surface Light, frosted & gold | CHT0150 | CHT0050 |
| Chant Surface Light, clear & gold | CHT0151 | CHT0051 |
| Chant Surface Light, frosted & silver | CHT0152 | CHT0052 |
| Chant Surface Light, clear & silver | CHT0153 | CHT0053 |

Materials

Frosted or clear glass & aluminium with brushed gold or silver finish:



Frosted glass



Clear glass



Brushed silver



Brushed gold

Glass shades are mouth-blown by hand. Subtle inconsistencies such as small air bubbles occur naturally as part of this process, which makes each piece unique.

Illumination 110-130V

3W, 2700 K

Bulb: 1x supplied, G9, 3W LED, 300 lumen, 36,000 hrs, CRI 90+

Illumination 220-240V

2.6W, 2700 K

Bulb: 1x supplied, G9, 2.6W LED, 300 lumen, 15,000 hrs, CRI 80

Dimming

Dimmable. TRIAC / Leading edge / Trailing edge

Dimensions

H 12.6 cm x W 12.6 cm x D 12.6 cm / H 5 x W 5 x D 5 in

Mounting Plate

Square mounting plate flush to surface:

9 x 9 x 0.25 cm / 3½ x 3½ x ¼ in

Mounts directly to a standard US style J-box or a cavity is required for electrical connections where there is no back box present.

Weight

Product (net) : 1.9 kg / 4.2 lb

Boxed (gross) : 2.6 kg / 5.7 lb

Certification

110-130V : UL, cULus

220-240V : CE, UKCA, CB

