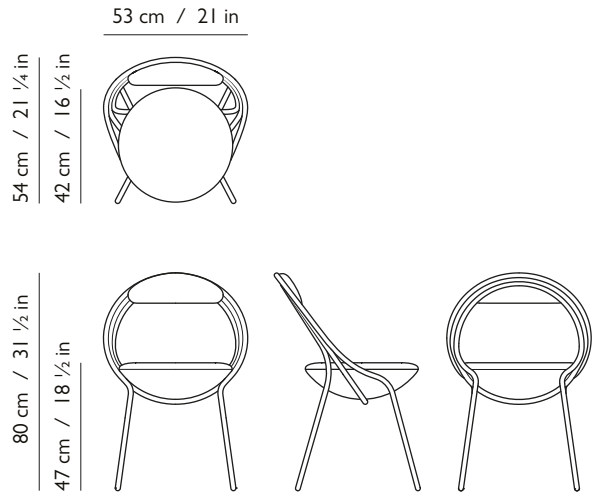


LEE BROOM

MUSICO CHAIR



PRODUCT DETAILS

Name

Musico Chair

Frame

18mm bent stainless steel tube available in 3 different finishes:



Matte Black
Code: MCMB+



Polished Chrome
Code: MCPC+



Satin Brass
Code: MCSB+

Upholstered Seat & Backrest

Formed plywood and aluminium shells, fully upholstered with foam and wadding.

Available in a selection of fabrics and leathers.
See price list for latest information.

Fabric & Leather Usage: 1.5 m² / 59 in²

Lee Broom Selected Upholstery (as of September 2020)

Lee Broom recommends the following fabrics and leathers for Musico from our preferred suppliers - Moons, Kvadrat, Dedar, Sørensen. We will add more upholstery options to this list as we approve suitability.

	Price Group +	Composition	Martindale	EN 1021 (EU)	Crib 5 (UK)	CAL 117 (US & Canada)
Black Wool	01	100% new wool	40,000	☑	☑	**
Moons Melton Spectrum	03	100% new wool	40,000	☑	☑	**
Moons Melton Earth	03	100% new wool	40,000	☑	☑	**
Dedar Adamo & Eva	05	100% cotton	50,000	*	*	*
Sørensen Ultra Leather	05	100% leather	n/a	☑	*	☑
Kvadrat Divina 3	06	100% new wool	45,000	☑	☑	☑

* Requires additional application – please contact Lee Broom for more details. ** Testing in progress.

Customer's Own Material (COM – group 06) and Customer's Own Material (COL – group 08) requires prior approval from Lee Broom.

Year of Design

2020

Dimensions

H 80 cm x W 53 cm x D 54 cm / H 31 1/2 in x W 21 in x D 21 1/4 in
Seat height 47 cm / 18 1/2 in; Seat depth 42 cm / 16 1/2 in
Weight 10.35 kg / 22.8 lbs

Packaging

H 87 cm x W 58 cm x D 58 cm / H 34 1/4 in x W 23 in x D 23 in
1 product per package
Packaged weight (gross): 14.6 kg / 32.2 lbs

Tests

EN 16139:2013 Test Level I

EN 1022:2018 **

ANSI/BIFMA X5.4 **