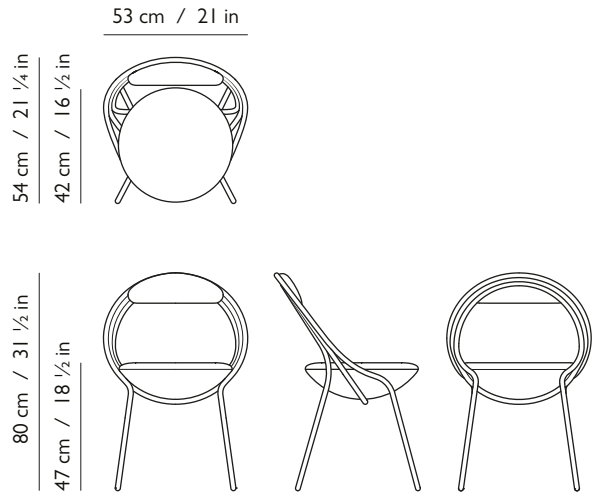


# LEE BROOM

## MAESTRO CHAIR



### PRODUCT DETAILS

#### Name

Maestro Chair

#### Frame

18mm bent stainless steel tube available in 3 different finishes:



Matte Black  
Code: MCMB+



Polished Chrome  
Code: MCPC+



Satin Brass  
Code: MCSB+

#### Upholstered Seat & Backrest

Formed plywood and aluminium shells, fully upholstered with foam and wadding.

Available in a selection of fabrics and leathers.  
See price list for latest information.

Fabric & Leather Usage: 1.5 m<sup>2</sup> / 59 in<sup>2</sup>

#### Lee Broom Selected Upholstery (as of September 2020)

Lee Broom recommends the following fabrics and leathers for Maestro from our preferred suppliers - Moons, Kvadrat, Dedar, Sørensen. We will add more upholstery options to this list as we approve suitability.

	Price Group +	Composition	Martindale	EN 1021 (EU)	Crib 5 (UK)	CAL 117 (US & Canada)
Black Wool	01	100% new wool	40,000	✓	✓	**
Moons Melton Spectrum	03	100% new wool	40,000	✓	✓	**
Moons Melton Earth	03	100% new wool	40,000	✓	✓	**
Dedar Adamo & Eva	05	100% cotton	50,000	*	*	*
Sørensen Ultra Leather	05	100% leather	n/a	✓	*	✓
Kvadrat Divina 3	06	100% new wool	45,000	✓	✓	✓

\* Requires additional application – please contact Lee Broom for more details. \*\* Testing in progress.

Customer's Own Material (COM – group 06) and Customer's Own Material (COL – group 08) requires prior approval from Lee Broom.

#### Year of Design

2020

#### Dimensions

H 80 cm x W 53 cm x D 54 cm / H 31 1/2 in x W 21 in x D 21 1/4 in  
Seat height 47 cm / 18 1/2 in; Seat depth 42 cm / 16 1/2 in  
Weight 10.35 kg / 22.8 lbs

#### Packaging

H 87 cm x W 58 cm x D 58 cm / H 34 1/4 in x W 23 in x D 23 in  
1 product per package  
Packaged weight (gross): 14.6 kg / 32.2 lbs

#### Tests

EN 16139:2013 Test Level I

EN 1022:2018 \*\*

ANSI/BIFMA X5.4 \*\*