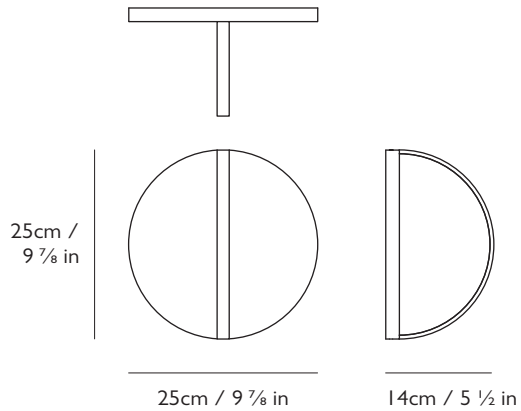


# LEE BROOM

## ECLIPSE SURFACE LIGHT



### PLEASE NOTE

Please allow for 10.9cm x 4cm x 2.2cm  
(4 1/4 in x 1 5/8 in x 7/8 in) in ceiling cavity to fit transformer.

### PRODUCT DETAILS

#### Name

Eclipse Surface Light

#### Finish & Product Code

Polished Chrome ● ECL0130 ECL0030

#### Materials

Opal acrylic, steel

#### Illumination 110-130v

4.8w, 2700k, 237 lumen, 110-130vAC Input / 24vDC Output,  
Supplied with separate transformer, CRI 90

#### Illumination 220-240v

4.8w, 2700k, 237 lumen, 220-240vAC Input / 24vDC Output,  
Supplied with separate transformer, CRI 90

#### Dimming

Dimmable. TRIAC / Leading edge /Trailing edge

#### Certification

UL, cUL (110-130v)  
CE, CB (220-240v)



#### Year of Design

2018

#### Dimensions

H 25cm x W 25cm x D 14cm / H 9 7/8 in x W 9 7/8 in x D 5 1/2 in

#### Ceiling plate / Canopy

H 1.6cm x Dia 25cm / H 5/8 in x Dia 9 7/8 in

Round steel in polished chrome finish

#### Weight

Product (net): 2.04 kg / 4.5 lbs

Boxed (gross): 2.82 kg / 6.2 lbs

1218rev05

For more information please contact:

US & Canada Inquiries: +1 212 804 8477 - 34 Greene Street, New York, NY 10013 - sales@leebroom.com

UK & Global Inquiries: +44 207 820 0742 - 95 Rivington Street, London, EC2A 3AY - info@leebroom.com

WWW.LEEBROOM.COM

